

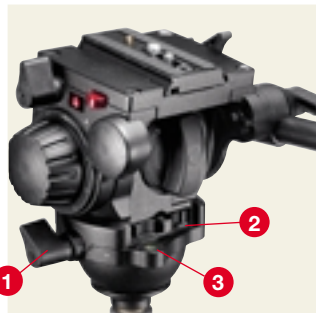


### PRO FLUID VIDEO HEAD 519

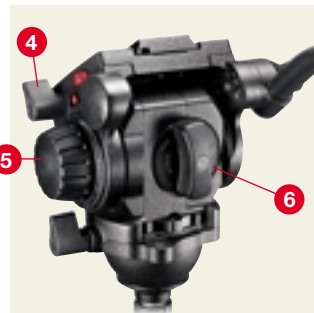
- 15cm
- 2.9kg
- 10kg
- 501PL

It's a fact, not all cameras weigh the same. Some mini DV cameras may weigh only a 1 kg while professional grade DV cameras can weigh up to of 10 kg. Professionals have as many equipment options as they do shooting styles, utilizing a wide range of different cameras including MINI DV, DVCAM, HD, ENG. When using numerous accessories, many of these setups can quickly overload video heads above the maximum recommended weight. Understanding the problem that professional Videographers face, Manfrotto has developed the 519, a compact, yet heavy duty fluid video head capable of accommodating a counterbalance payload from 1,5 kg up to 9 kg. This is a revolutionary breakthrough from Manfrotto, as the 519 will be the only video head on the market encompassing both interchangeable and adjustable counter-balance springs. Combining both features will allow Videographers to easily interchange a vast array of cameras of various weights as well as quickly fine tune the perfect balance point of whatever camera being used, all with just one head! In addition, fluid drag is easily controlled with a large click-stop numbered knob in seven increments. Drag can be adjusted from the highest possible setting to nearly zero drag, allowing for the finest control through 360° pan and +90° to -90° tilt.

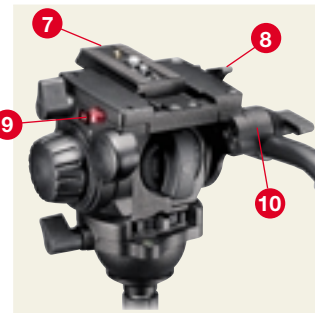
#### FEATURES



- 1 Pan Locking Knob
- 2 Pan Drag Control
- 3 Spirit Level

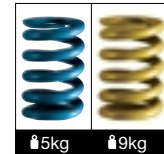


- 4 Tilt Locking Knob
- 5 Tilt Drag Knob
- 6 Counterbalance Adjustment Knob



- 7 Sliding Quick Release Plate
- 8 Sliding Quick Release Knob
- 9 Sliding Plate Safety Release Button
- 10 Interchangeable Pan Bar Rosette

#### BALANCE SPRINGS SUPPLIED WITH HEAD



- Blue spring - minimum
- Blue spring - MAXIMUM
- Yellow spring - minimum
- Yellow spring - MAXIMUM

#### TECHNICAL SPECIFICATION

<b>Tilt</b>	+90° -90°
<b>Tilt Drag</b>	Variable (7 steps)
<b>Independent Tilt Lock</b>	Yes
<b>Pan</b>	360°
<b>Pan Drag</b>	Variable (7 steps)
<b>Independent Pan Lock</b>	Yes
<b>Variable Balance Control</b>	Yes (Operated by two interchangeable and adjustable springs, the blue one from 1.5 to 5 kg and the yellow one from 5 to 9 kg @ 125 mm CG and 60° from tilt inclination)
<b>Head Bowl</b>	75 mm
<b>Levelling Bubble</b>	Yes
<b>Telescopic Pan Handle</b>	1
<b>Additional Pan Handle</b>	519LV (available as an optional)
<b>Sliding Quick Release Plate</b>	Supplied with: 3/8" and 1/4" camera screws
<b>Sliding Travel of Plate</b>	58 mm
<b>Temperature Range</b>	-20° C +60° C

#### COUNTERBALANCE GRAPH

